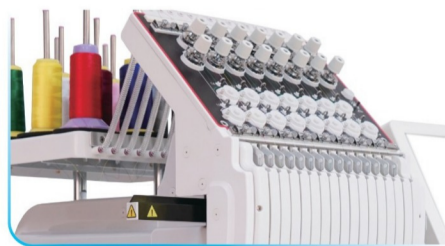
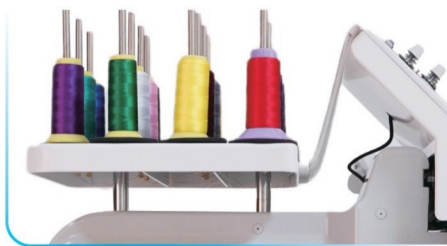


**PB-1201**  
Compact Tubular Embroidery Machine

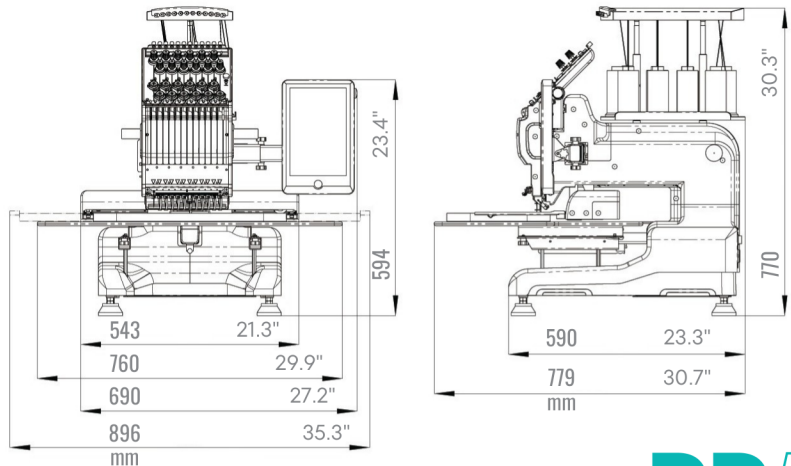
**PB 1201**



Screen	Embroidery area	Needles No.	Max. speed		Power supply	Power consumption	Weight		Memory
			Flat	Cap			Net weight	Gross weight	
10" Touch LCD	350*200 mm 13.8*7.9"	12	1,000 rpm	650 rpm	AC 110~240V	0.15 kW	41 kg 90 lbs	65 kg 143 lbs	800 designs 100 million stitches

**SIZE INDICATION**

Dimension		
Length	Depth	Height
896 mm 35.3"	779 mm 30.7"	770 mm 30.3"



**STANDARD ACCESSORIES**

**PB** 1201



**HOOP 60\*40 mm**  
2.4\*1.6"



**HOOP 100\*100 mm**  
3.9\*3.9"



**HOOP 150 mm**  
5.9"



**HOOP 360\*160 mm**  
14.2\*6.3"



BOBBIN WINDER



CAP DRIVE KIT



MACHINE STAND



FLAT TABLE



TOOL BOX

**OPTIONAL ACCESSORIES**



**HOOP 90 mm**  
3.5"



**HOOP 120 mm**  
4.7"



**HOOP 180 mm**  
7.1"



**HOOP 240\*175 mm**  
9.4\*6.9"



**HOOP 380\*200 mm**  
15.0\*7.9"



ROBOT FRAME



SOCKS HOOP